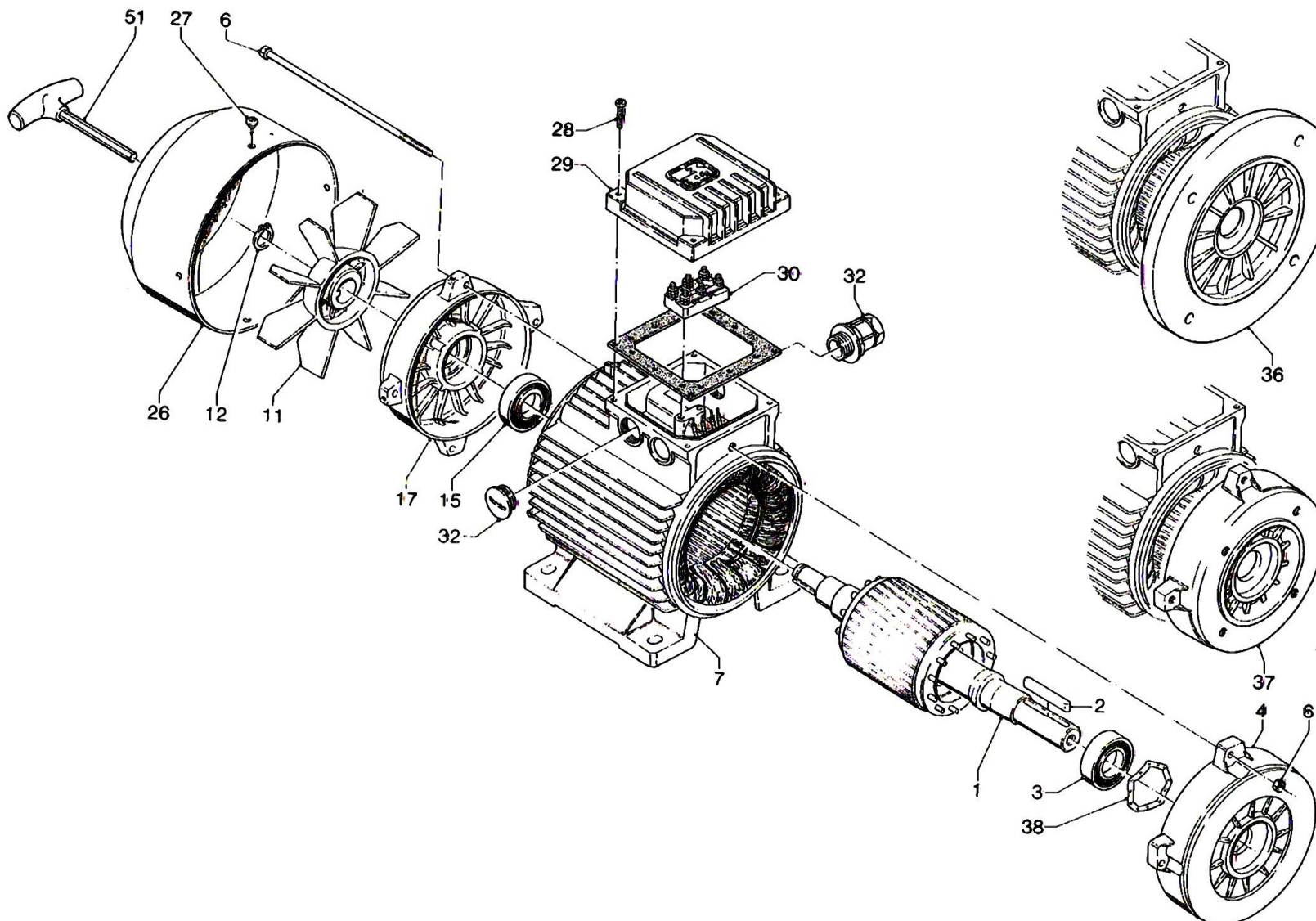


Spare parts


- Complete Rotor **1**
- Key **2**
- Bearing Drive End Side **3**
- Endshield Drive End Side **4**
- Tire rod Assembly **6**
- Stator Frame **7**
- Fan **11**
- Fixing Hub Snap Ring **12**
- Bearing Non Drive Side **15**
- Endshield Non Drive End Side **17**
- Fan Cover **26**
- Fan Cover Screws **27**
- Terminal Box Screws **28**
- Terminal Box **29**
- Terminal Board **30**
- Cable Gland **32**
- Flange B5 (Flange Mounting) **36**
- Flange B14 (Face Mounting) **37**
- Elastic Washer **38**