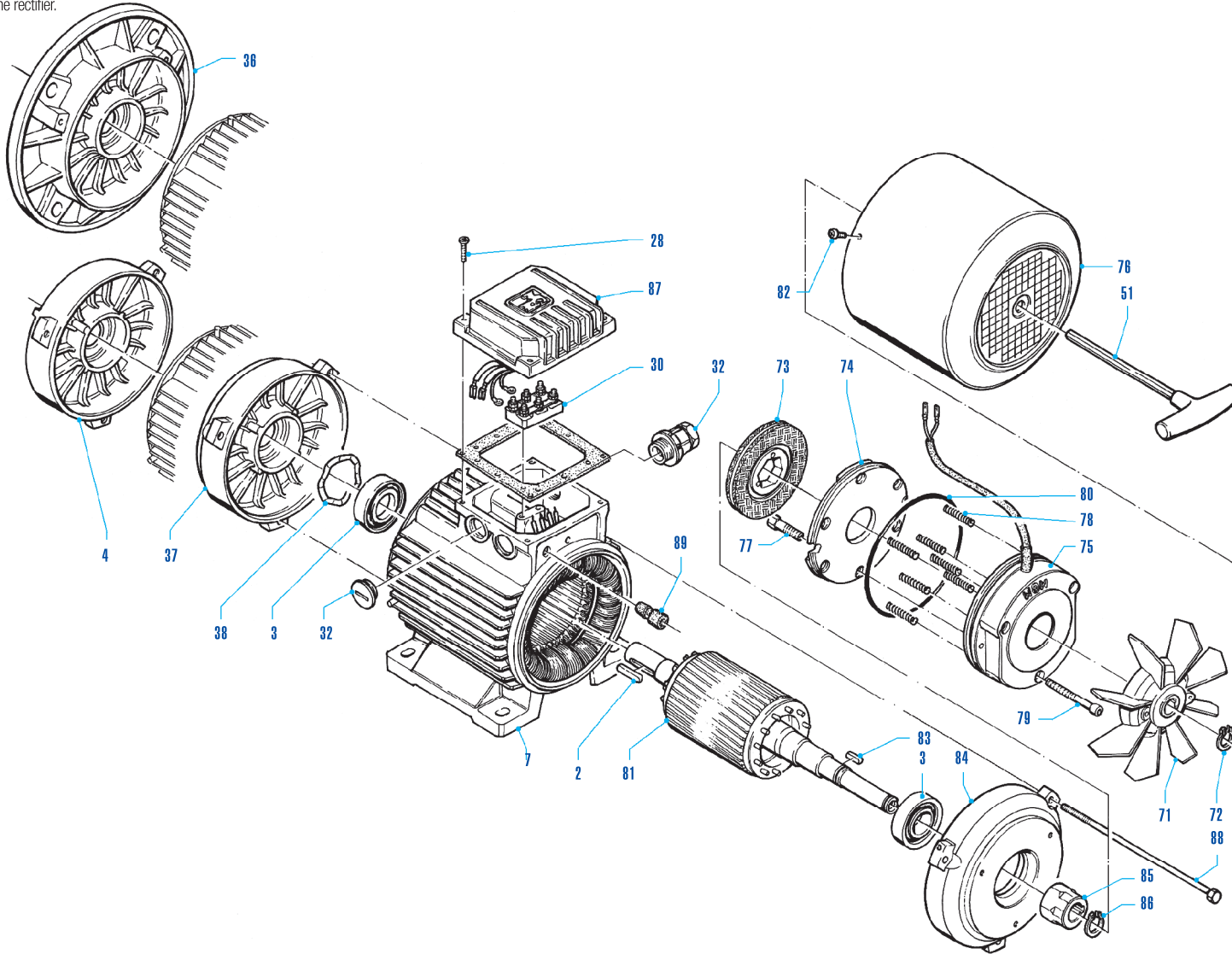


M.G.M. motori elettrici S.p.A. is present in more than 40 countries around the world with sales/parts outlets and customer service. Please contact MGM customer assistance to find further information about MGM in the world. To clearly identify a spare part it is necessary to provide the item number (shown on the drawing below), the motor type, the rated voltage and frequency supply for electric parts such as the stator, the brake coil and the rectifier.



- Key **2**
- Bearing Drive Side **3**
- Endshield Drive End **4**
- Stator Frame **7**
- Terminal Box screws **28**
- Terminal Box (single or double) **30**
- Cable Gland **32**
- Flange B5 (Flange Mounting) **36**
- Flange B14 (Face Mounting) **37**
- Elastic washer **38**
- Allen key for manual shaft rotation (on request only) **51**
- Fan **71**
- Fan Snap Ring **72**
- Brake Disc **73**
- Brake Moving Element **74**
- Brake Coil **75**
- Fan Cover **76**
- Connecting Screw **77**
- Adjustable or Fixed Springs **78**
- Brake Fixing Screw **79**
- Brake Assembly O-ring (BM 80-90-100) **80**
- Complete Rotor **81**
- Fan Cover Screw **82**
- Brake Assembly Key (BM 71-80-90-100) **83**
- Endshield Brake Side (rear cover) **84**
- Hexagonal Hub **85**
- Fixing Hub Snap Ring **86**
- Terminal Box with built-in rectifier **87**
- Tie Rod **88**
- Rubber Sleeve **89**