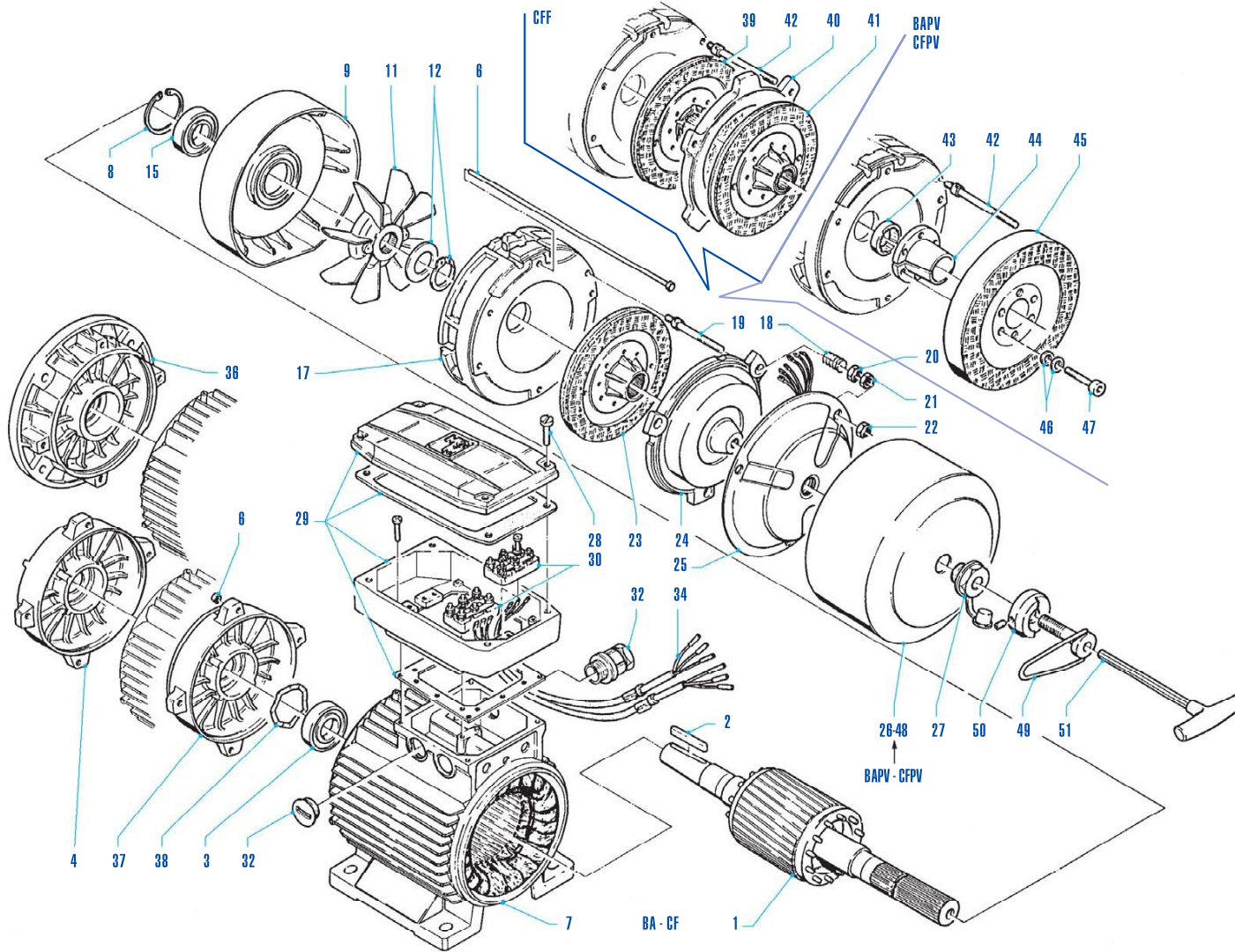


M.G.M. motori elettrici S.p.A. is present in more than 40 countries around the world with sales/parts outlets and customer service. Please contact MGM customer assistance to find further information about MGM in the world. To clearly identify a spare part it is necessary to provide the item number (shown on the drawing below), the motor type, the rated voltage and frequency supply for electric parts such as the stator, the brake coil and the rectifier.



- 1 Complete rotor
- 2 Key
- 3 Bearing Drive End side
- 4 Endshield Drive End (front cover)
- 6 Tie rod assembly
- 7 Stator frame
- 8 Circlip
- 9 Endshield brake side (rear cover)
- 11 Fan
- 12 Fan fixing accessories
- 15 Bearing Non Drive Side
- 17 Brake Friction Surface
- 18 Spring
- 19 Brake adjuster
- 20 Brake torque adjuster locknut
- 21 Air gap adjusting nut
- 22 Brake coil locknut
- 23 Brake Disc
- 24 Brake Moving Element
- 25 Brake Coil
- 28 Brake Cover (BA-CF)
- 27 Hexagonal Rear Nut (socket head nut)
- 28 Terminal Box Screws
- 29 Terminal Box (single or double)
- 30 Terminal Board
- 32 Cable Gland
- 34 Brake Coil Connection Cables
- 38 Flange B5 (Flange Mounting)
- 37 Flange B14 (Face Mounting)
- 38 Elastic Washer
- 39 Brake Disc (BAF-CFF)
- 40 Additional Brake surface (BAF-CFF)
- 41 Additional Brake Disc (BAF-CFF)
- 42 Long Brake Adjuster (BAPV-BAF-CFF-CFPV)
- 43 Spacer (BAPV-CFPV)
- 44 Taper Bush (BAPV-CFPV)
- 45 Flywheel (BAPV-CFPV)
- 46 Elastic Washer (BAPV-CFPV)
- 47 Taper bush fixing screws (BAPV-CFPV)
- 48 Brake Cover (BAPV-BAF-CFPV-CFF)
- 49 Brake Release Screw
- 50 Fulcrum Hub for brake release (on request only)
- 51 Allen key for manual shaft rotation (on request only)